

BACKUP POWER SUPPLY SYSTEM ANALYSIS

Bohuslav LAKOTA¹, Zdislav EXNAR², Miroslav MATEJCEK¹, Mikulas SOSTRONEK¹

¹Department of Electronics, Armed Forces Academy of gen. M. R. Stefanik,
Demanova 393, 031 01 Liptovsky Mikulas, Slovakia

²Institute of Aurel Stodola, Faculty of Electrical Engineering, University of Zilina,
Street of kpt. J. Nalepka 1390, 031 01 Liptovsky Mikulas, Slovakia

bohuslav.lakota@aos.sk, exnar@lm.uniza.sk, miroslav.matejcek@aos.sk, mikulas.sostronek@aos.sk

DOI: 10.15598/aeec.v13i2.1337

Abstract. All electrical or electromechanical systems need electric voltage to function. This voltage is obtained from a distribution network or autonomous power supply. Reliable operation of systems/devices is then largely dependent on the reliability of delivering power supply voltage. The aim of this article is to point out to some aspects of increased reliability possibilities of those systems.

Keywords

Backup power supply systems, increasing reliability, system reliability.

1. Introduction

With designing and operation of miscellaneous devices and systems, one can meet the requirement for life-time or period of service that expresses an operational reliability. Most of the devices are composed of subsystems defined by their reliability characteristics. Every electronic or electromechanical device requires electric power. This power is supplied by an internal power supply that is a part of given device or by an external power source, for example distribution network or an autonomous power generator, respectively. Operation of the device will be dependent mostly on the reliability of power supply, because if this fails, then the overall system fails, too. To increase the reliability of important systems (satellite communication systems, medical instruments, weapon systems, etc.), it is vital to back up the power system.

2. Reliability Characteristics

Attendant phenomena arising during the operation of devices are their failures. Occurrence of failures are usually under influence of a random process. This process of rising failures is usually caused by inner or external reasons that are not possible to predict. Reliability analysis and computations are based on operation data collection and sorting or the result of various functional tests. Generally, the system reliability is defined as a system attribute that is based on the capability to fulfill declared functions in desired time, in given environment and with specified operational conditions. The most important numerical characteristics describing the system reliability are:

- failure probability $Q(t)$,
- no-failure operation probability $R(t)$,
- failure rate $\lambda(t)$,
- failure-probability density $f(t)$,
- mean time between failures (MTBF) $M(t)$.

The failure probability $Q(t)$ in certain time interval $t \in (0; t_n)$ for continuous random variable is given by

$$Q(t) = Q(0; t_n) = \int_0^{t_n} f(t) dt, \quad (1)$$

where $f(t)$ is a failure-probability density.

The no-failure operation probability $R(t)$ is a complementary probability describing that in given time interval the system will be functional. It is given by

$$R(t) = 1 - Q(t) = \int_{t_n}^{\infty} f(t) dt. \quad (2)$$

The failure rate is one of the most important system property. For continuous random variable it is given by

$$\lambda(t) = \frac{f(t)}{R(t)} = \frac{f(t)}{1 - Q(t)}. \tag{3}$$

It expresses the failure probability in an elementary time period with the assumption that until the operation time t the system failure was not detected. The mean time between failures (MTBF) M is the predicted elapsed time between inherent failures of a system. MTBF can be calculated as the arithmetic mean time between failures of a system. The MTBF can be defined in terms of the expected value of the failure-probability function $f(t)$ [9].

$$M = \int_0^\infty t f(t) dt = \int_0^\infty R(t) dt. \tag{4}$$

2.1. Basic Reliability Models

Basic reliability models interpret the parts of a system by block diagram. Properties of individual parts are presented by statistical indexes of their real reliability values.

1) Serial reliability model

Figure 1 contains n elements (subsystems) arranged in serial.

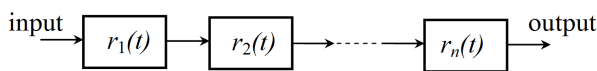


Fig. 1: Serial reliability model.

It represents an example in which an inherent failure of the arbitrary element leads to failure of the overall system. The no-failure operation probability of that system is

$$R(t) = r_1(t) r_2(t) \dots r_n(t) = \prod_{i=1}^n r_i(t), \tag{5}$$

where $r_1(t)$ is no-failure operation probability of the first element, $r_2(t)$ is no-failure operation probability of the second element and $r_n(t)$ is no-failure operation probability of the n^{th} element.

Parallel reliability model (Fig. 2) contains m elements arranged in parallel. If one of the elements breaks down then second (backup) element starts to operate.

The failure probability of this model is

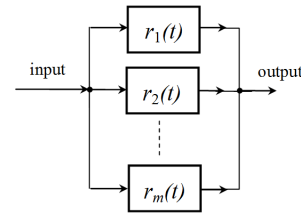


Fig. 2: Parallel reliability model.

$$Q(t) = q_1(t) q_2(t) \dots q_m(t) = \prod_{j=1}^m q_j(t), \tag{6}$$

where $q_1(t)$ is a failure probability of the first element, $q_2(t)$ is a failure probability of the second element and $q_n(t)$ is a failure probability of the n^{th} element.

2) Series-parallel reliability model

Figure 3 is an example of real systems composed of n serial connected elements and m elements connected in parallel.

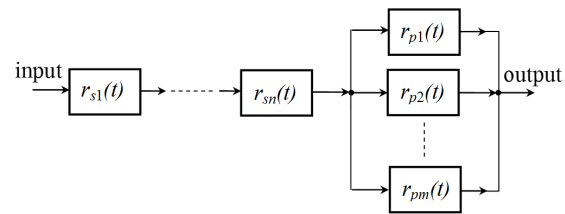


Fig. 3: Series-parallel reliability model.

No-failure operation probability of that scheme is given by

$$R(t) = 1 - Q(t) = 1 - \prod_{j=1}^m q_j(t) = 1 - \prod_{j=1}^m [1 - r_j(t)]. \tag{7}$$

3. Methods for Increasing of System Reliability

The increase of system reliability is realized by:

- the selection of suitable elements or subsystems,
- the selection of proper operating mode and operating conditions,
- the realization of periodic service operations,
- the subsystem backup,
- etc.

$$R(t) = 1 - Q_{bck}(t) = 1 - \prod_{i=1}^{m+1} Q_i(t) = 1 - \prod_{i=1}^{m+1} [1 - R_1(t)], \tag{8}$$

$$R(t) = 1 - Q_1^{m+1}(t) = 1 - [1 - R_1(t)]^{m+1}, \tag{9}$$

$$Q_m(t) = \frac{(\lambda_1 t)^m}{m!}, \tag{10}$$

$$R(t) = R_{ON}(t) R_{GN}(t) R_S(t) = \prod_{i=1}^n r_{si} \left\{ 1 - \prod_{j=1}^2 [1 - r_{ONj}(t)] \right\} \left\{ 1 - \prod_{k=1}^3 [1 - r_{GNk}(t)] \right\}, \tag{11}$$

$$R_{SUB}(t) = R_{ON}(t) R_{GN}(t) R_S(t) = \prod_{i=1}^n r_{si} \left[1 - \frac{(\lambda_1 t)^k}{k!} e^{-\lambda_1 t} \right] \left[1 - \frac{(\lambda_1 t)^m}{m!} e^{-\lambda_1 t} \right]. \tag{12}$$

The system backup can be continuous, which means that the backed-up element is connected to secondary element all over its operation. The second possibility of backup is to connect the secondary element only if the backed-up element has a failure. This case is called substitution backup (substitution redundancy). If the backed-up and secondary elements have the same no-failure operation probability $R(t)$ then

If in substitution backup the failure probability is under the influence of Poisson law, then for the occurrence of m failures in given time interval the failure probability is

Power supply system of vital communication, control, defense or medical systems is one of the examples in which the system failure should be minimized. These systems are usually created by two power supply systems with

- On-board supply system – it provides the DC voltage. It is realized in system standby (or turn-off) by electrochemical secondary cells (accumulators),
- AC power supply system – it provides AC voltage from an electric generator.

As we can see on the Fig. 4, an activation of main AC generator (1) is realized by on-board power supply network (2). A failure of the on-board power supply leads to a malfunction of the main generator too, because it will not be started up.

If there is a requirement to increase system reliability, power supply backup of the on-board power supply and the main AC generator, respectively, must be realized. If an accumulators (3) fail (discharge, capacity loss, ageing process, damage, etc.) then the main AC generator (1) will not to be activated. The accumulators backup can be realized by compressed air (4) in air tank (5) that can activate the main generator (1), too. If the main generator starts, it creates the AC supply voltage that is necessary for activating overall on-board devices and that can charge accumulators (3) over charging circuits (6). The main generator is backed-up twice, by an internal backup generator (7) actuated by a driving gear (8) and an external power supply (9) (mobile AC generator, industrial supply network, etc.). With the main generator (1) failure, the switching on backed-up power supply is realized manually (or automatically) over voltage commutation circuits (10). The external power supply (9) connection is realized only manually.

The no-failure operation probability $R(t)$ of backed-up power supply with continuous backup (for example partially loaded) is then possible to evaluate by modifying Eq. (9).

In Eq. (11), $R(t)$ is no-failure operation probability of overall system, $R_{ON}(t)$ is no-failure operation probability of on-board power supply network, $R_{GN}(t)$ is no-failure operation of AC power supply network, $R_S(t)$ is overall no-failure operation probability of system 1 up to n , $r_{si}(t)$ is no-failure operation probability of i^{th} system, $r_{ONj}(t)$ is no-failure operation probability of j^{th} on-board power supply system and $r_{GNk}(t)$ is a no-failure probability of k^{th} power supply generator.

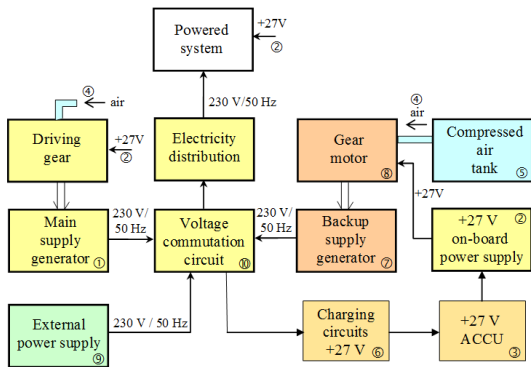


Fig. 4: Example of substitute power supply backup.

The no-failure operation probability of the backed-up power supply with the substitute redundancy (substitute backup) when power supply backup is inactive can be evaluated by using Eq. (8) and Eq. (10).

In Eq. (12), $R_{sub}(t)$ is no-failure operation probability of the overall system with substitute power supply backup, k is multiple of on-board supply backup; m is multiple of AC power supply backup. As one can see the overall reliability of system is given by a product of probabilities $R_{ON}(t)$, $R_{GN}(t)$ and $R_S(t)$. Increasing of the system reliability is realized by backup of main power supply because if it fails the overall system fails, too.

4. Conclusion

The aim of this article is to show the meaning of the power supply reliability and ability to increase it. Although the described model is focused on military application, it is suitable also for non-military applications where the power supply failure can lead to a malfunction of overall system. As an example one can show communication systems, medical systems, various special industrial systems, etc.

However in specific cases the criteria for time recovery of primary (or backup) power supplies are much more rigid. Some criteria on electrical distribution in medical rooms are defined in Slovak Technical Standard STN 33 2000-7-710:2013-08 (or CSN 33 2000-7-710 in Czech Republic) where the time recovery is in general 120 s and in special emergency power supply backup it is only 15 s (or 0.5 s) [6].

References

- [1] GRAMATOVA, A. and K. JELEMENSKA. *Testing, diagnostic and verification of digital systems*. 1st. ed. Bratislava: STU Bratislava, 2012. ISBN 978-80-227-3797-5.
- [2] JANOUSEK, I., J. KOZAK and O. TARABA. *Technical diagnostics*. 1st. ed. Praha: SNTL Praha, 1988. ISBN 04-236-88.
- [3] BIGOS, P. and E. FALTINOVA. *Technical System Reliability*. Kosice: Technical University in Kosice, 2011. ISBN 978-80-553-0802-9.
- [4] STN IEC 60050-191. *International Electrotechnical Vocabulary. Chapter 191: Dependability and quality of service*. Bratislava: Slovak Office of Standards, Metrology And Testing, 1993.
- [5] USHAKOV, J. *Handbook of Reliability in Radioelectronics and Automatized Technique*. Prague: SNTL Prague, 1989. ISBN 80-03-00034-3
- [6] STN 33 2000-7-710:2013-8. *Low-voltage electrical installations. Part 7-710: Requirements for special installations or locations. Medical locations*. Bratislava: Slovak Office of Standards, Metrology And Testing, 2013.
- [7] O'CONNOR, P. D. and A. KLEYNER. *Practical Reliability Engineering*. 5th ed. Oxford: Wiley-Blackwell, 2012. ISBN 978-0-470-97981-5
- [8] ZAHRAN, M., S. TAWFIK and G. DYAKOV. L.E.O. Satellite Power Subsystem Reliability Analysis. *Journal of Power Electronics*. 2006, vol. 6, no. 2, pp.104–113. ISSN 15982092.
- [9] JONES, J., *Integrated logistics support handbook*. 3rd ed. New York: Sole Logistics Press/McGraw-Hill, 2006. ISBN 978-007-1471-688.

About Authors

Bohuslav LAKOTA was born in 1951 in Piestany (Slovak Republic). He received his M.Sc. from Aviation and Air Defense Faculty, Military Academy, Brno in 1974. He obtained his Ph.D. degree in 1998 and Assoc. prof. degree in 2003, both at Military Academy in Liptovsky Mikulas. He works as an associate professor at the Department of Electronics, Armed Forces Academy in Liptovsky Mikulas. His research area mainly includes control systems with the intention of radar and guided weapon systems.

Zdislav EXNAR was born in 1948 in Havlickuv Brod (Czech Republic). He received his M.Sc. from Electrical Engineering at Military Academy, Brno in 1978. He obtained his Ph.D. degree in 1985, in Kiev, (Ukraine) He works as an associate professor at the University of Zilina – Faculty of Electrical Engineering - Institute of Aurel Stodola in Liptovsky Mikulas. His areas of interest are automatic control systems and database systems.

Miroslav MATEJCEK was born in 1979 in Liptovsky Mikulas (Slovak Republic). He received his M.Sc. degree in 2002, at Department of Air Defense, Military Academy in Liptovsky Mikulas. He works as an assistant lecturer at Department of Electronics, Armed Forces Academy in Liptovsky Mikulas. His research area mainly includes guided weapon systems and control systems.

Mikulas SOSTRONEK was born in 1972 in

Bojnice (Slovak Republic). He received his M.Sc. degree in 1996 at Air Defense Faculty, Military Academy in Liptovsky Mikulas and Ph.D. degree in 2001 at Department of Electronics, Military Academy in

Liptovsky Mikulas. He works as a senior assistant at Department of Electronics, Armed Forces Academy in Liptovsky Mikulas. His research area mainly includes control systems and microwave engineering.